



Construction

Bronze pump casing with suction and delivery connections with the same diameter and on the same axis (in-line).
Stainless steel AISI 316 can.

Materials	NCS3 ..-40, -50	NCS3 ...-70
Pump casing	Bronze	Bronze
Impeller	Composite	Composite
Shaft	Stainless steel	Ceramic
Bearings	Graphite	Ceramic

Applications

Circulation of sanitary hot water.

Operating conditions

Liquid temperature from +5 °C to +65 °C.
Ambient temperature up to 40 °C.
Sound pressure ≤ 43 dB (A).
Minimum suction pressure: 0,05 bar at 50 °C
Maximum permissible working pressure 10 bar.

Designation

NCS3 20 - 40 / 130



Motor

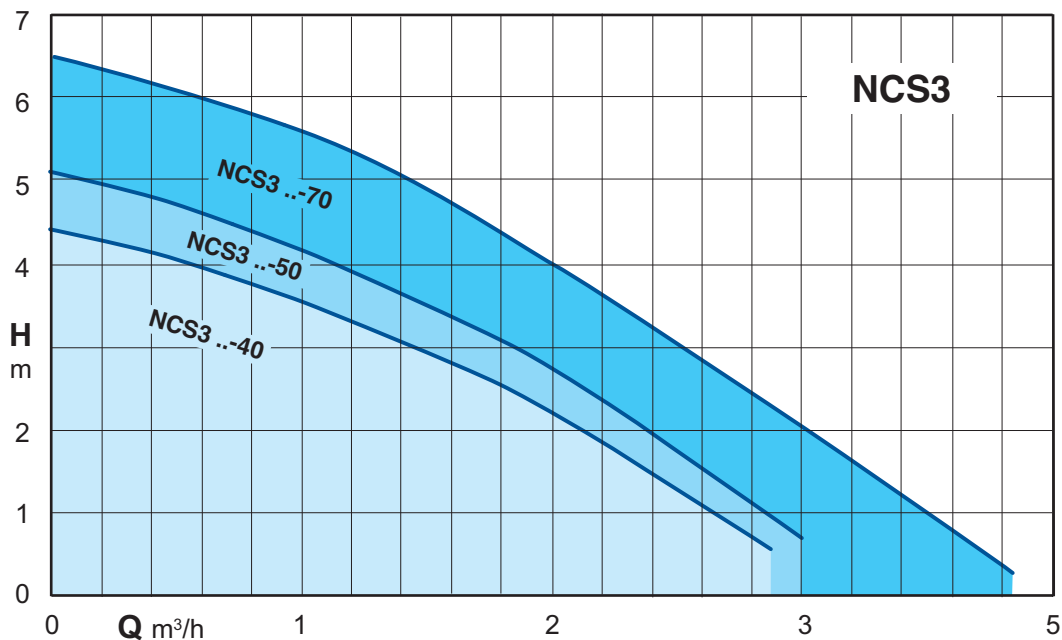
2-pole induction motor, 50 Hz.
Three adjustable speeds.

NCS3: single-phase 230 V.
Insulation class H.
Protection IP 44.

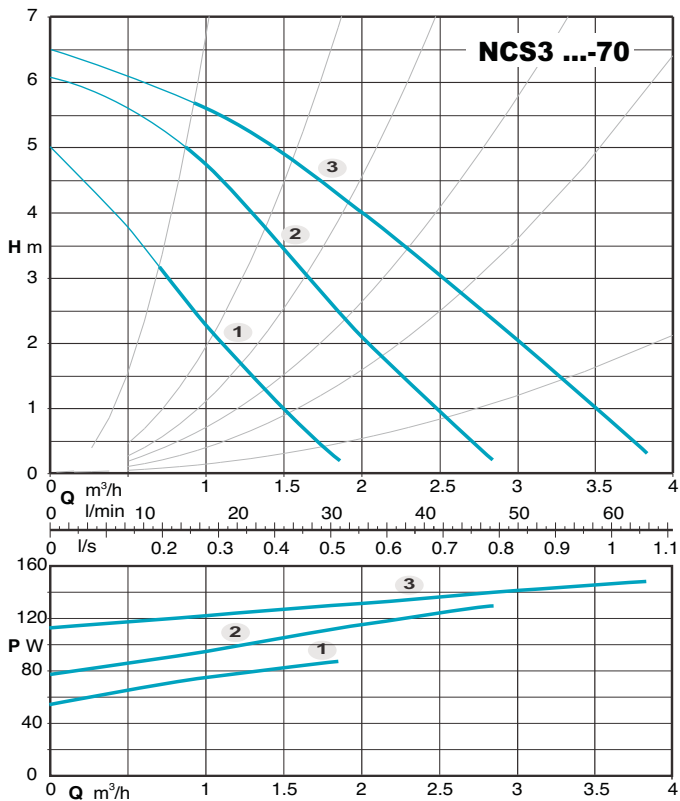
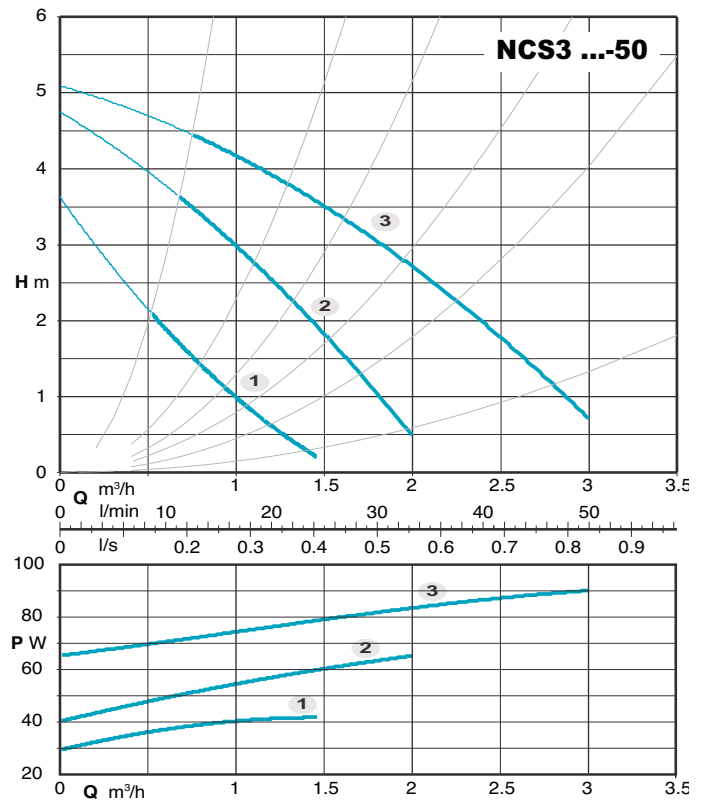
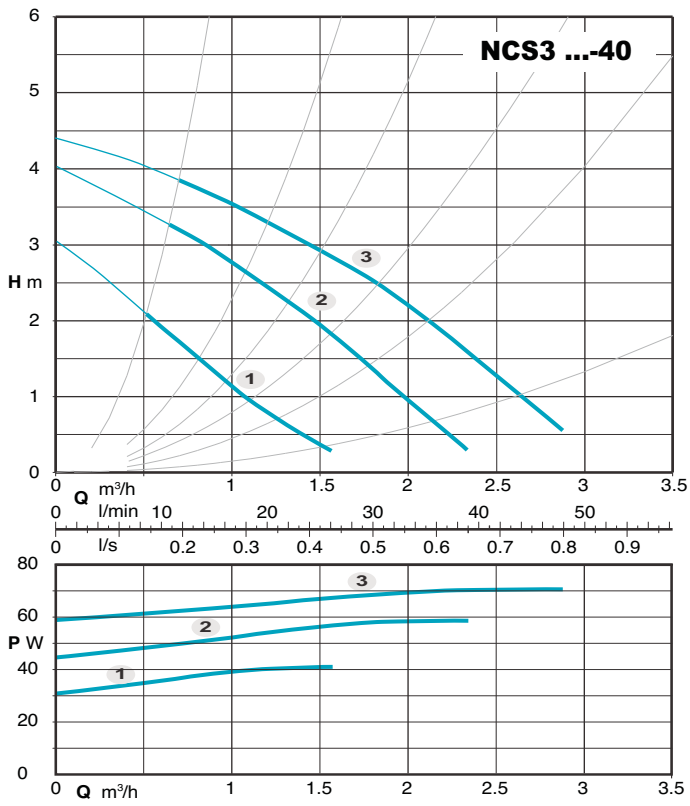
Special features on request

Brass unions.

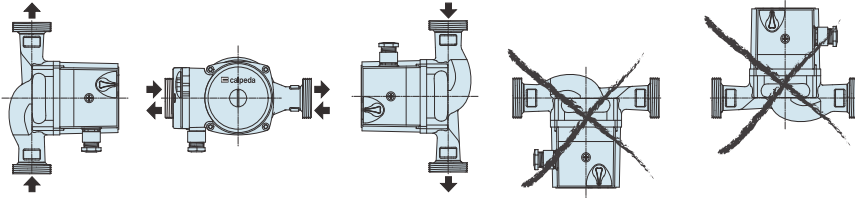
Coverage chart



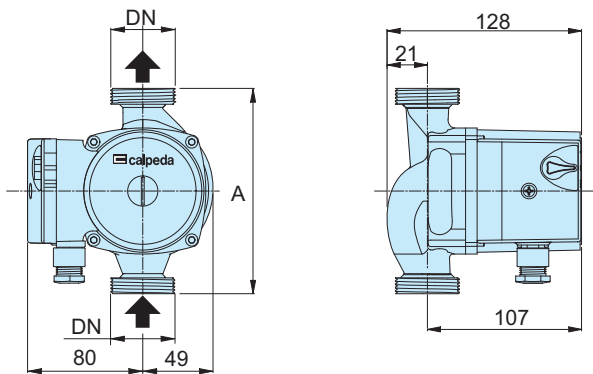
Characteristic curves



Examples of installations



Dimensions and weights



Unions (on request)

